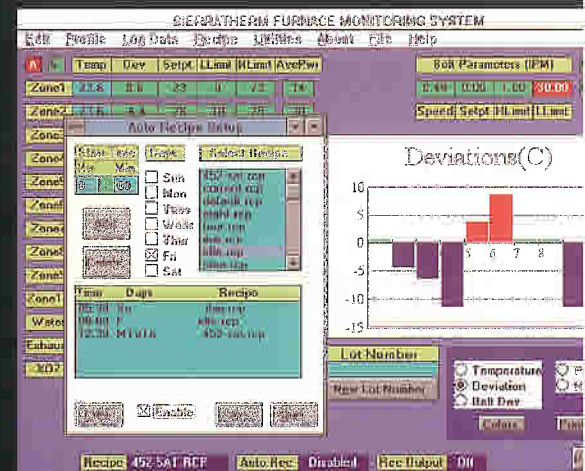


# SIERRATHERM

Thermal Processing Equipment and Controls



Open  
The  
Window  
To  
Thermal  
Superiority



# WINTHERM

## Advanced PC Based Temperature Monitoring System

### WinTherm:

WinTherm is a Microsoft Windows based software package for temperature monitoring, parameter editing, data logging, recipe management and thermal profiling. It is designed to interface directly with the MicroTherm temperature controller through a standard IBM PC RS-232 communication port giving a cost effective, powerful, flexible, graphical user interface.

### Features:

- Windows based multi-tasking software
- Bar graph display shows temperature, deviation, and power and previous history of parameters
- Powerful data logging for SPC
- Compatible with popular Windows spreadsheet or database software
- Event log captures all operator actions and alarm conditions
- Three level password protection, user definable
- Flexible easy to use setup menu adapts to almost any type of process or equipment

- Hypertext help system includes technical information, installation, operation guide, troubleshooting and spare parts information
- Optional conveyor speed parameter setup with high and low limits for conveyORIZED heating applications

### Menu Items:

- Edit – Allows quick editing of setpoints, power, rise rates, and tuning constants
- Recipe – Allows editing and loading of user defined recipes; incorporates descriptive text window for additional process comments and data
- Profile – Allows a time versus temperature thermal profile in conveyor heating applications with up to 3 traveling thermocouples
- Log Data – For setting up and viewing temperature data as well as alarm and operator events

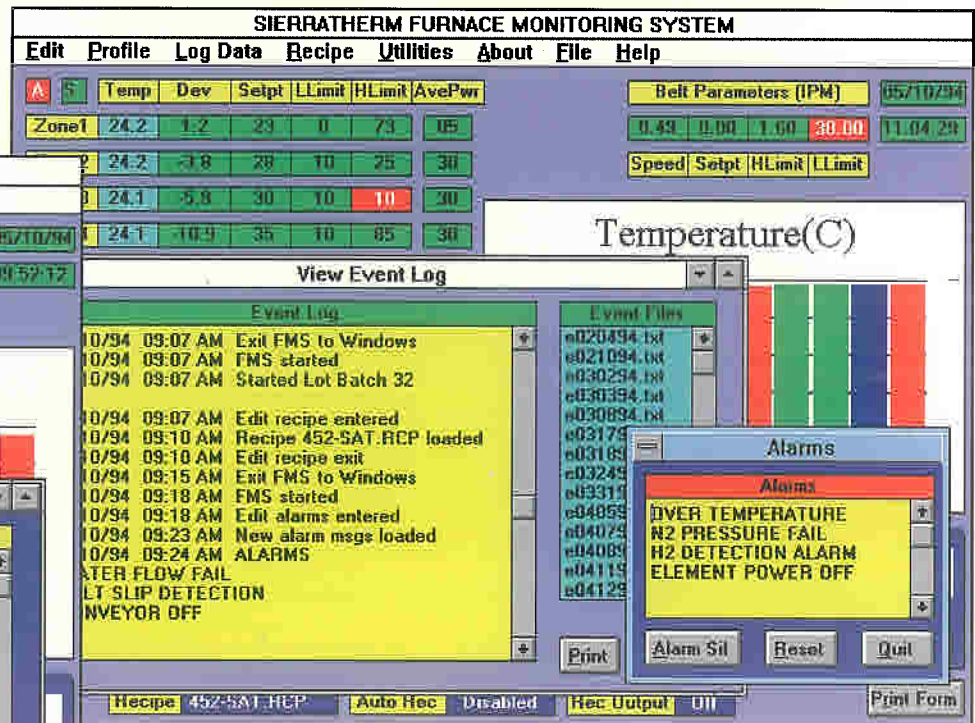
- Utilities – Used to set up parameters such as number of channels, thermocouple types, channels names, alarm messages, passwords, plus much more, for a specific process
- Help – On line hypertext based help system – just press F1

### Hardware Requirements:

- IBM PC or compatible - 386 - 33MHZ or higher
- Minimum 4MEG RAM
- Super VGA monitor and graphics accelerator
- Free COM1 serial port
- 128 KBYTE minimum cache memory
- 120 MEG hard drive
- 3.5" floppy Drive
- Microsoft Windows 3.1 and DOS 6.2 software

# SIERRATHERM

### Process Event/SPC Logs



# SIERRATHERM

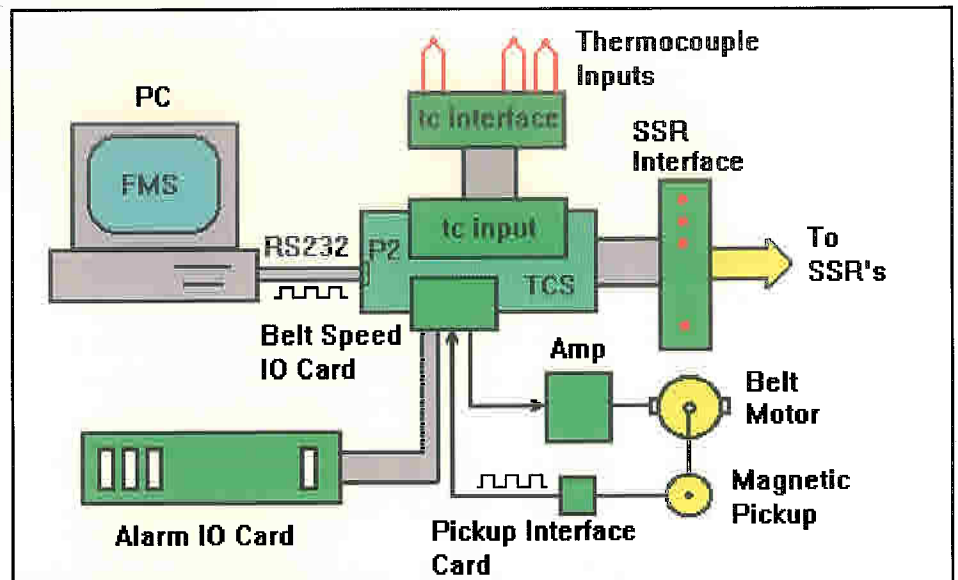
## Engineering And Applications Assistance

### Application Assistance

SierraTherm application engineers are available to assist you with your specific application. In addition, for OEM or customized needs, our in-house engineering staff can quickly modify both controller hardware or software to meet your special requirements. Just give us your prerequisites and we will propose a MicroTherm System that is just right for your job. SierraTherm will work with your engineers to ensure your MicroTherm System is delivered fully optimized and ready to enhance your thermal process control and boost productivity.

### Superior Thermal Control

SierraTherm provides a wide range of solutions for all your thermal processing needs. In addition to the MicroTherm Control System we offer a full line of thermal processing equipment, spare parts and retrofit services to meet a wide range of heating and industrial control requirements. We can provide control for a stand alone oven, or a Windows based PC System to network an entire thermal production line into a central control location and any related application in between. Call our application engineers today and let us show you how our state of the art systems can effectively bring your process under control, saving you time, money and effort.



Typical application

### Typical MicroTherm Applications:

- ConveyORIZED ovens, dryers and Lehrs
- Heat treating furnaces
- Semiconductor processing equipment
- Electronic component processing
- Ceramic firing kilns
- Brazing furnaces
- Solder reflow equipment
- Plastic injection molding
- Multiple batch furnace an oven networking
- Glass manufacturing, coating, decorating and annealing
- Environmental and Industrial temperature management
- Petro-Chemical processing
- Gas and Liquid flow control
- Time/Temperature recording and analysis
- Power Conservation and Management
- Afterburner control and monitoring



SierraTherm Production Furnaces, Inc.

7 Hangar Way • Watsonville, CA 95076 • (408) 763-0113 • Fax (408) 763-1509